

ROLL GOODS

Strip Width Thickness	Style/ Color	Roll Size	Part Number
8" x .080"	Clear - Smooth	300'	PVC-808-DS
8" x .080"	Clear - Ribbed	150'	PVC-808-RDS
12" x .120"	Clear - Smooth	200'	PVC-12120-DS
12" x .120"	Clear - Ribbed	150'	PVC-12120-RDS
16" x .160"	Clear - Smooth	100'	PVC-16160-DS
16" x .160"	Clear - Ribbed	100'	PVC-16160-RDS
8" x .080"	Bronze - Smooth	300'	WS-08080
12" x .120"	Bronze - Smooth	200'	WS-12120
8" x .080"	Low Temp Clear	300'	PVC-LT808-DS
12" x .120"	Low Temp Clear	200'	PVC-BT120-DS
8" x .080"	Black Opaque	300'	PVC-BLK-DS
8" x .080"	Ultra Low Temp	300'	PVC-ULT 808-DS
12" x .120"	Ultra Low Temp	200'	PVC-ULT 120-DS
48" x .040	Clear Sheet	150'	PVC-48040-DS
48" x .080	Clear Sheet	120'	PVC-48080-DS
48" x .120	Clear Sheet	90'	PVC-48120-DS
48" x .160	Clear Sheet	60'	PVC-48160-DS
48" x .080	Bronze Sheet	120'	WS-48080-DS

Recommended Size of Strips to be Used in Installation of Doors.

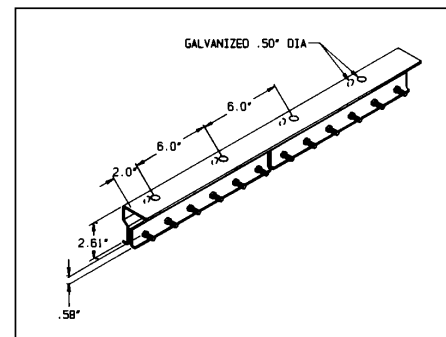
Doors to 8'H = Use 8" Strips

Doors to 14'H = Use 12" Strips

Doors to 20'H = Use 16" Strips

Doors over 20'H = Use reinforced
16" Strips

UNIVERSAL MOUNT HARDWARE



Part #

Finish

B-764-FT

H.D. Galvanized Steel

NEW

Low Temperature Strip:

Suitable for use in freezers and exterior applications. Available in smooth or ribbed. Good to -30° F.

Extra-Low Temperature Strip:

Use in freezers operating at room temperatures as low as -60° F.

Black Opaque Strip:

Use with conveyor systems and other applications where restricted visibility is required.

*Mauritzon Vinyl Strip and Sheet are registered as flame resistant by the California Fire Marshall.

STRIP DOORS

Conserve energy, eliminate drafts and reduce noise levels, affordably. Flexible PVC strips are durable and easy to install. Clear strips are available in smooth or "ribbed" anti-scratch materials in widths to 16 inches and thickness to .160". Bronze and orange welding strips are available in widths of 8" and 12".

Order complete door systems from the accompanying chart. Units include appropriate number of strips and convenient universal mounting hardware. Please contact our sales office for sizes not listed as well as bronze welding strip curtain systems.

Overlap — generally — 8" use 50% overlap; 12" use 2/3 overlap; for noise control full overlap recommended.



STRIP DOORS

Width x Height	Part Number	Part Number	Part Number	Part Number
8" Clear Smooth Strips				
50% Overlap				
4' x 7'	M-100-0407		M-100R-0407	
4' x 8'	M-100-0408		M-100R-0408	
5' x 7'	M-100-0507		M-100R-0507	
5' x 8'	M-100-0508		M-100R-0508	
6' x 7'	M-100-0607		M-100R-0607	
6' x 8'	M-100-0608		M-100R-0608	
8" Clear Ribbed Strips				
50% Overlap				
4' x 7'	M-100-0407		M-100R-0407	
4' x 8'	M-100-0408		M-100R-0408	
5' x 7'	M-100-0507		M-100R-0507	
5' x 8'	M-100-0508		M-100R-0508	
6' x 7'	M-100-0607		M-100R-0607	
6' x 8'	M-100-0608		M-100R-0608	
12" Clear Smooth Strips				
2/3 Overlap		100% Overlap		
8' x 8'	M-200-0808	M-300-0808	M-200R-0808	M-300R-0808
8' x 9'	M-200-0809	M-300-0809	M-200R-0809	M-300R-0809
8' x 10'	M-200-0810	M-300-0810	M-200R-0810	M-300R-0810
10' x 10'	M-200-1010	M-300-1010	M-200R-1010	M-300R-1010
10' x 12'	M-200-1012	M-300-1012	M-200R-1012	M-300R-1012
12' x 10'	M-200-1210	M-300-1210	M-200R-1210	M-300R-1210
12' x 12'	M-200-1212	M-300-1212	M-200R-1212	M-300R-1212
12' x 14'	M-200-1214	M-300-1214	M-200R-1214	M-300R-1214
16" Clear Smooth Strips				
50% Overlap		100% Overlap		
12' x 12'	M-400-1212	M-500-1212	M-400R-1212	M-500R-1212
12' x 14'	M-400-1214	M-500-1214	M-400R-1214	M-500R-1214
14' x 12'	M-400-1412	M-500-1412	M-400R-1412	M-500R-1412
14' x 14'	M-400-1414	M-500-1414	M-400R-1414	M-500R-1414
15' x 12'	M-400-1512	M-500-1512	M-400R-1512	M-500R-1512
15' x 12'	M-400-1514	M-500-1514	M-400R-1514	M-500R-1514